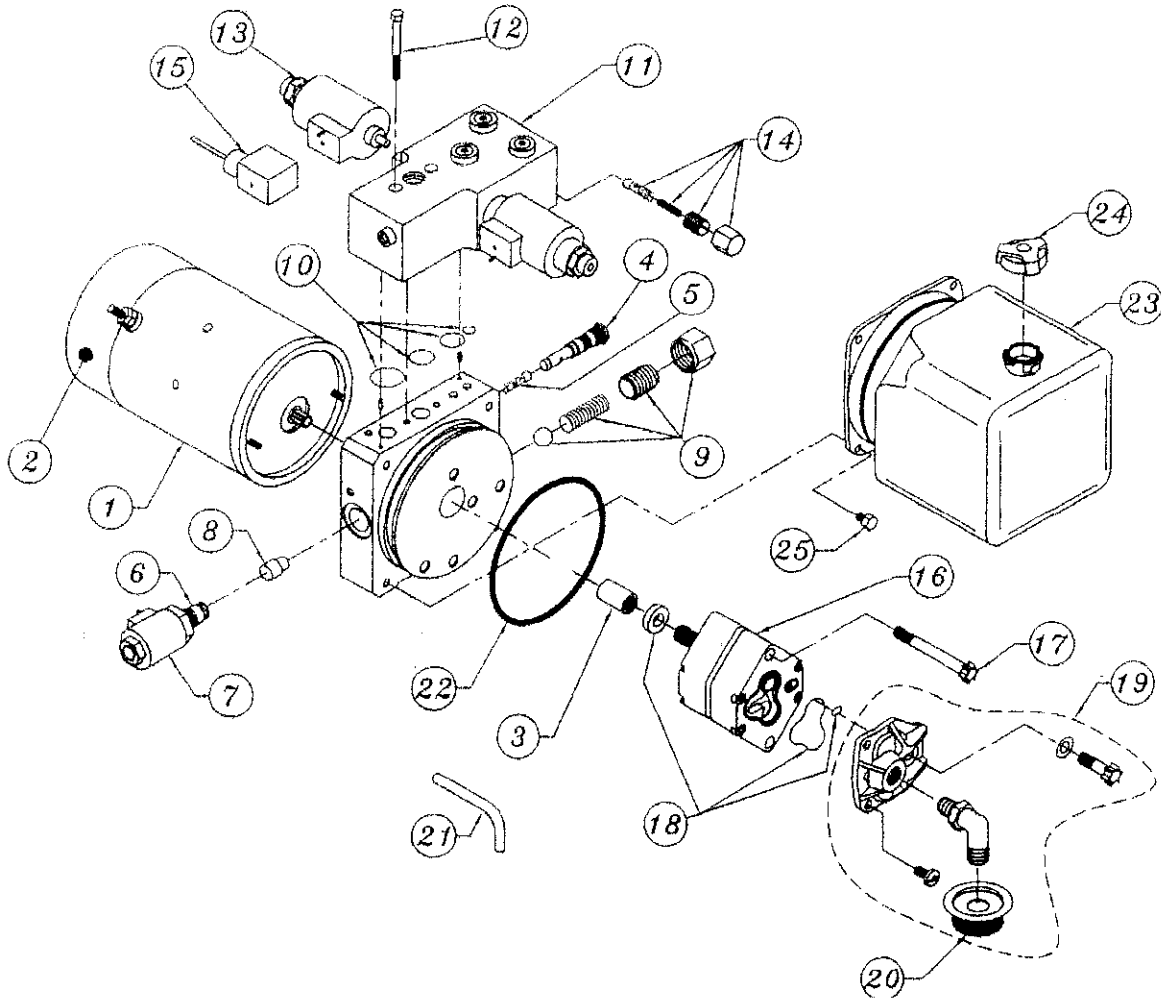


2.0 POWER UNIT SERVICE PARTS LIST

MODEL LDA PART NO. SM-DB1439



| ITEM NO. | DESCRIPTION | PART NO. | QTY. |
|----------|-----------------------------|--------------|------|
| 1 | 12 VOLT DC MOTOR | SM4142-AC | 1 |
| 2 | MOTOR BRUSH KIT | SMK-90 | 1 |
| 3 | COUPLING | SM1118-AA | 1 |
| 4 | CHECK VALVE | SM2290-BA | 1 |
| 5 | CHECK VALVE SPRING & BALL | SMS1-1004-12 | 1 |
| 6 | RELEASE VALVE CARTRIDGE | SMVF-4009 | 1 |
| 7 | RELEASE VALVE SOLENOID | SMEF-1134 | 1 |
| 8 | FLOW CONTROL VALVE | SMFC-2.5 | 2 |
| 9 | ADJUSTABLE RELIEF VALVE KIT | SMRV-2 | 1 |
| 10 | DIR. VALVE O-RING KIT | SMS8-6000-37 | 2 |
| 11 | DIRECTIONAL VALVE | SMJO-6710-82 | 1 |
| 12 | DIRECTIONAL VALVE BOLT | SM5037-AA | 2 |
| 13 | DIRECTIONAL VALVE SOLENOID | SME1-4005-12 | 2 |

| ITEM NO. | DESCRIPTION | PART NO. | QTY. |
|----------|----------------------------|--------------|------|
| 14 | CROSSOVER RELIEF VALVE KIT | SMS8-6000-38 | 2 |
| 15 | ELECTRICAL CONNECTOR | SM4817-AA | 2 |
| 16 | PUMP ASSEMBLY | SMPS-2.0 | 1 |
| 17 | PUMP MOUNTING BOLT | SM1112-AA | 2 |
| 18 | PUMP O-RING KIT | SMK-40 | 1 |
| 19 | INLET PLUMBING KIT | SMK-238 | 1 |
| 20 | INLET FILTER | SM1611-AA | 1 |
| 21 | RETURN TUBE | SMT2-1006-74 | 1 |
| 22 | RESERVOIR O-RING | SMG1-1073-48 | 1 |
| 23 | RESERVOIR | SM3540-AC | 1 |
| 24 | BREATHER | SM8060-CC | 1 |
| 25 | RESERVOIR MOUNTING SCREW | SM3346-AA | *4 |