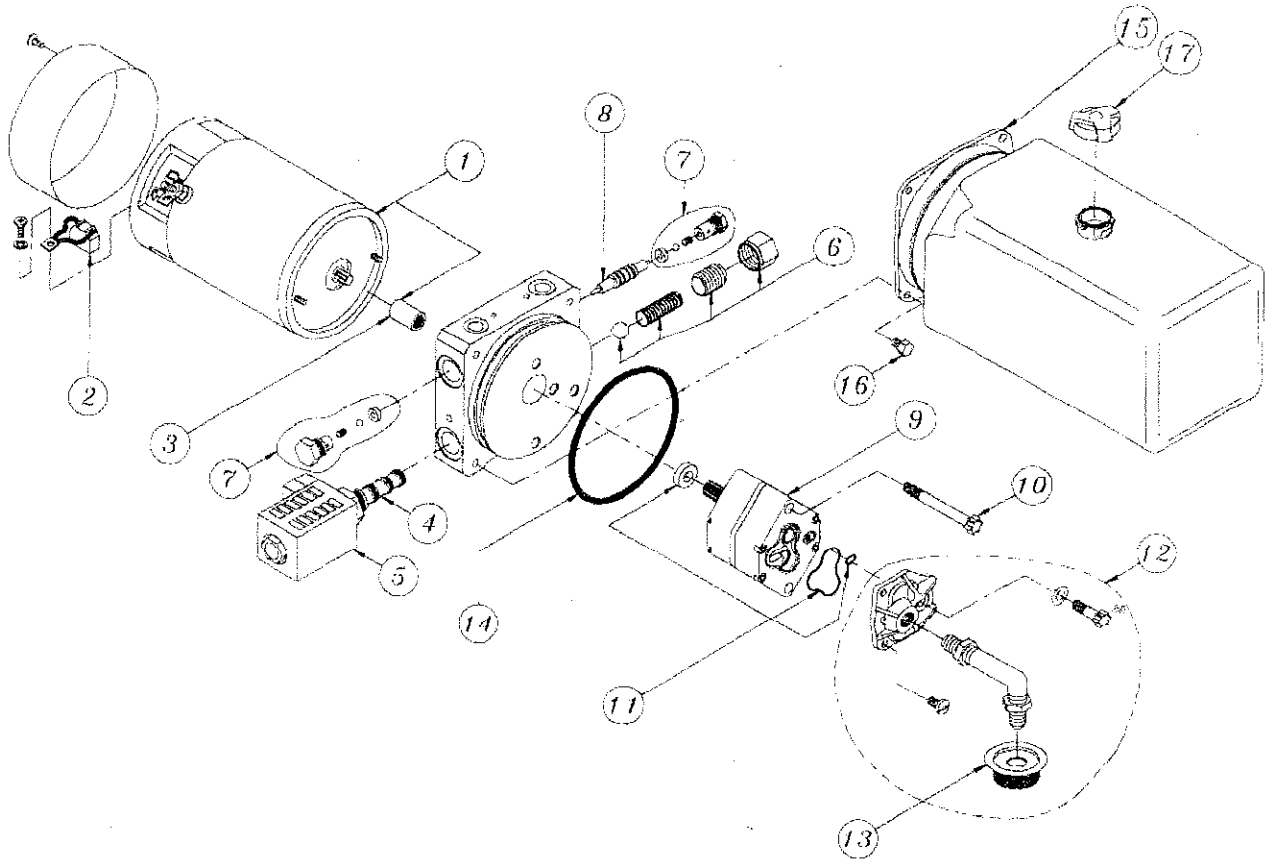


4.0 POWER UNIT SERVICE PARTS LIST

PART NO. SM-DB1374-A



ITEM NO.	DESCRIPTION	PART NO.	QTY.
1	12 VOLT DC MOTOR	SMKMD1	1
2	MOTOR BRUSH KIT	SMK-90	1
3	COUPLING	SM1118-AA	1
4	VALVE, 12V DC 2P4W	SMVF-1060	1
5	SOLENOID COIL ASSY	SMEF-1138	1
6	ADJ. RELIEF VALVE ASSY	SMRV-2	1
7	P.O. CHECK KIT	SMS8-9000-00	2
8	P.O. SPOOL	SMX2-1048-04	1
9	PUMP ASSEMBLY	SMPS-4.0	1

ITEM NO.	DESCRIPTION	PART NO.	QTY.
10	PUMP MOUNTING BOLT	SMF1-1053-25	2
11	PUMP O-RING KIT	SMK-40	1
12	INLET PLUMBING KIT	SMKH	1
13	FILTER	SM1611-AA	1
14	RESERVOIR O-RING	SMG1-1073-48	1
15	RESERVOIR	SM3527-AC	1
16	RESERVOIR SCREW	SM3346-AA	4
17	BREATHER	SM8060-CC	1